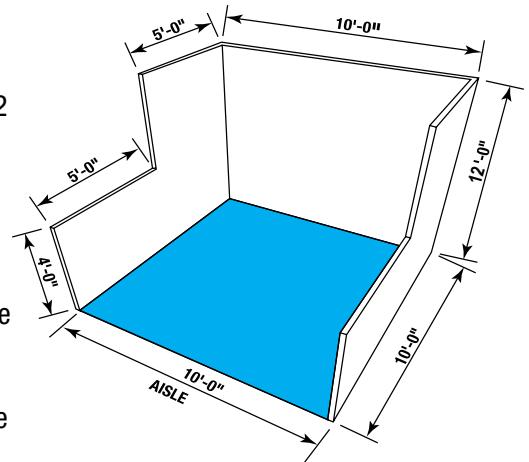


IN-LINE (LINEAR) BOOTHS

In-line booths have only one side exposed to an aisle and have adjacent neighbors on either side of the booth. Booths are most commonly 10 feet wide by 10 feet deep (3.05m x 3.05m). All in-line booth signage/display/product must not be higher than 12 feet (3.66m) high, and sign copy must face into the booth if used along the back wall or side wall. The maximum height of 12 feet (3.66m) is permitted on the back 5 feet (1.52m) of booth, and a maximum height of 4 feet (1.22m) is permitted in the front 5 feet (1.52m) of the booth. Hanging signs are **NOT** permitted in in-line booths.

NOTE: When three or more in-line booths are combined into a single exhibit space, the 4 foot (1.22m) height limitation is applied only to that portion of booth space which is within 10 feet (3.05m) of an adjoining booth (neighboring exhibitor). A corner booth is an in-line booth exposed to aisles on the front and one side. The same rules for in-line booths apply to corner booths.



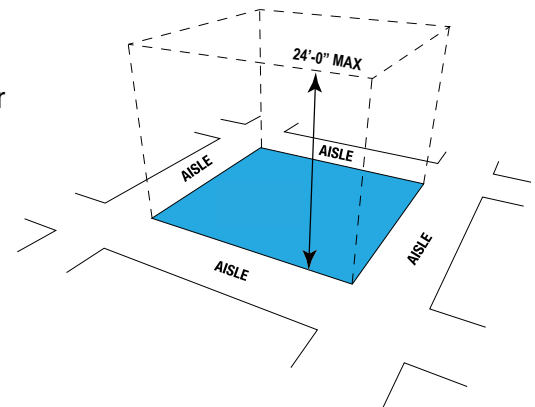
INSTALLATION EXCLUSIONS

All exhibits must be free standing. No bolts, screws, hooks, or nails shall be driven into or otherwise attached to the walls, columns or floors of the exhibit areas. No part of the display may be attached to, or otherwise secured to, the drapery backdrop or side dividers. In addition, no decals or other adhesive materials shall be applied or affixed to the walls, pillars or floor of the exhibit areas. Exhibitors shall not post any signs or descriptions outside of their contracted exhibit space.

ISLAND BOOTHS

An island booth is any sized booth exposed to aisles on all four sides of the booth with no adjacent neighbors. At TISE, the minimum size of island booths is 20'x 20' or 400 sq. ft. (6.10m x 6.10m or 37.21m²).

NOTE: The hanging of signs, fixtures and other components is allowed in island booths **ONLY**, with a maximum (top of sign) height of 24 feet (7.32m).



LABOR REGULATIONS

Please reference the sections below for labor regulation information.

- Exhibit Installation and Dismantling - [pg. 14](#)
- Gratuities + Breaks - [pg. 19](#)
- Material Handling - [pg. 22](#)
- Riggers and Machinery Movers - [pg. 26](#)

LEAD RETRIEVAL / COLLECTING

CompuSystems, the official lead retrieval vendor for TISE 2020, offers several affordable options that allow exhibitors to record attendee information without even picking up a pen. All CompuLEAD orders include myLeads, CompuSystems' premier post-show follow-up service. myLeads allows you to view all of your leads and provides a powerful suite of post-show follow-up services. Download leads directly to your own CRM or database, print leads and mailing labels, send broadcast e-mails and run reports to help measure ROI.



[ORDER LEAD RETRIEVAL SCANNER](#)